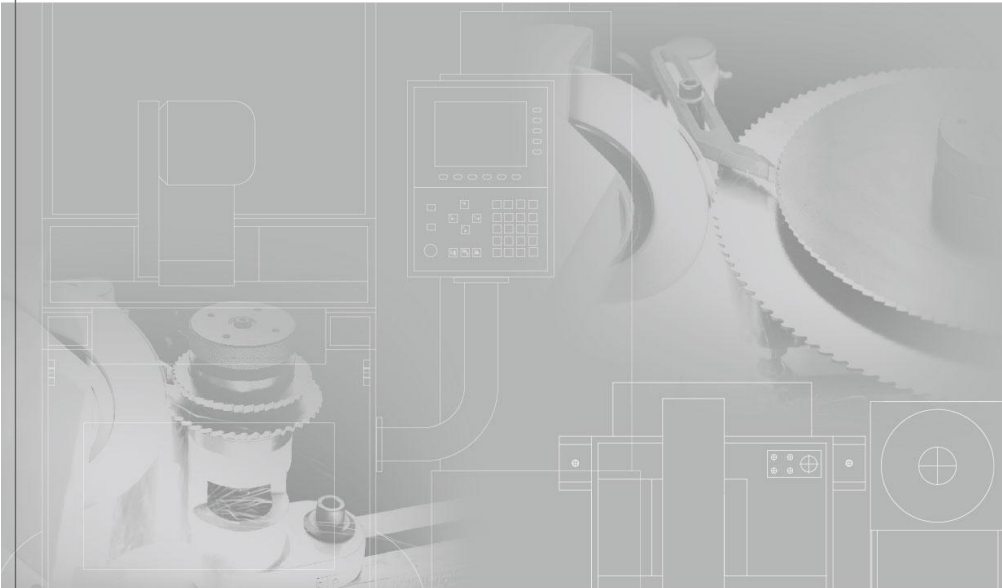




**S450C/S300C/S620/S450/S300 圓鋸片研磨機**  
**Circular Saw Blade Sharpening Machine**



**易研精密機械有限公司**  
**EYAN MACHINE TOOLS CO., LTD.**

台中市南屯區精科七路5號  
No.5, Jingke 7th Rd., Nantun Dist., Taichung City 408, Taiwan  
Tel: +886-4-2355-3111 Fax: +886-4-2355-2111  
E-mail: [eyan@eyan.com.tw](mailto:eyan@eyan.com.tw)  
[eyan@eyan.com](mailto:eyan@eyan.com)  
<http://www.eyan.com>  
[//www.hssaw.com](http://www.hssaw.com)



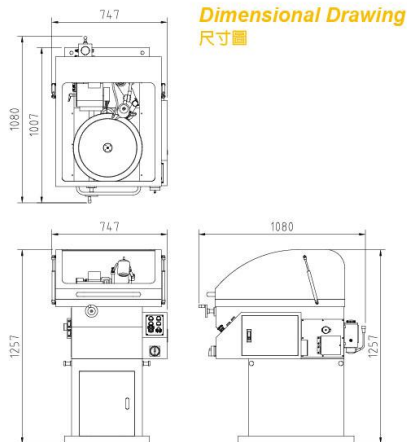
EYAN MACHINE TOOLS CO., LTD.

EYAN

# S450C 圓鋸片研磨機

Circular Saw Blade Sharpening Machine

Professional Class Sawblade Sharpening Machine 專業級的鋸片研磨機



Dimensional Drawing  
尺寸圖

### Specifications 規格表

|  |                           |                          |
|--|---------------------------|--------------------------|
| Grinding Range<br>研磨範圍                 | Optional accessories 選購配件 | Ø65-450mm<br>Ø35-100mm   |
| Tooth pitch 齒距                         |                           | 25 mm Max. 最大            |
| Sawblade Thickness<br>鋸片厚度             |                           | 8 mm Under 以下            |
| Grinding speed<br>研磨速度                 |                           | 30~135 teeth/min<br>齒/分鐘 |
| Cutting angle 切削角                      |                           | 0~25°                    |
| Grinding wheel diameter<br>砂輪外徑        |                           | Ø150 mm                  |
| Grinding wheel motor 砂輪馬達              |                           | 0.37 KW                  |
| Cooling Motor 冷卻馬達                     |                           | 0.09 KW                  |
| Transmission motor 傳動馬達                |                           | 0.37 KW                  |
| Grinding wheel speed 50HZ/60HZ<br>砂輪轉速 |                           | 3800/4500 rpm            |
| Net weight/gross weight<br>淨重/毛重       |                           | 337 / 417 kg             |
| Package size<br>裝箱尺寸                   |                           | 113 x 92 x 160 cm        |

### Standard Fittings 標準配件

|                      |         |
|----------------------|---------|
| Work lamp 工作燈        | 1pc 個   |
| Tool box 工具箱         | 1set 套  |
| Operation Manual 說明書 | 1copy 份 |
| Guide Plate 導板       | 2pcs 片  |
| Grinding wheel 砂輪    | 10pcs 片 |

※ All specifications, designs and characteristics shown in this catalogue are subject to change without prior notice.  
因設計或製造上的需要，如有變更恕不另行通知。

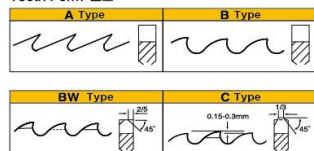


Cooling System 冷卻系統



Manual Lubrication System 手動潤滑系統  
Easy to be operated by pushing the handle down for oil feeding. 以把手反覆操作送油，操作簡便。

### Tooth Form 齒型



### Instruction of Functions 功能介紹

- A Firm Floor Model Machine. 穩定性佳的落地型機種。
- Sharpening Capability of High-low Teeth. 高低齒的研磨功能。
- It is adjusted by a control dial the teeth high-low difference. The C type teeth with high-low difference could be ground out the same time. 由一個齒高低差控制鈕調整，可以同時研磨出有高低差的C型齒。

### The Adjustment of The Sawblade Thickness 鋸片厚度調整

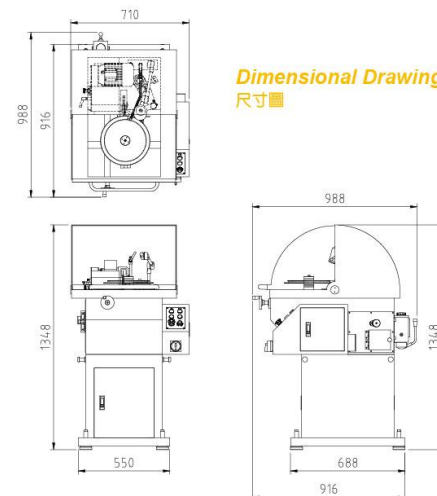
- The sawblade thickness is adjusted by a precision graduator. It could accurate adjust the center point of the sawblade 鋸片厚度經由一個精密的刻度表，可以準確的調整出鋸片的中心點。

### Inverter speed regulation 變頻器調速

- Use the frequency converter to adjust the power of the motor, realize the variable speed operation of the motor, and then achieve the purpose of energy saving and speed regulation. 使用變頻器調整馬達的功率，實現馬達的變速運轉，進而達到節能、調速的目的。

# S300C 圓鋸片研磨機

Circular Saw Blade Sharpening Machine



Dimensional Drawing  
尺寸圖

### Specifications 規格表

|  |                           |                        |
|--|---------------------------|------------------------|
| Grinding Range<br>研磨範圍                 | Optional accessories 選購配件 | Ø65-300mm<br>Ø35-100mm |
| Tooth pitch 齒距                         |                           | 25 mm Max. 最大          |
| Tooth depth 齒深                         |                           | 8 mm                   |
| Sawblade Thickness 鋸片厚度                |                           | 8 mm Under 以下          |
| Grinding speed<br>研磨速度                 | Constant speed 定速         | 90 teeth/min 齒/分鐘      |
| Cutting angle 切削角                      |                           | 0~30°                  |
| Grinding wheel diameter<br>砂輪外徑        |                           | Ø150 mm                |
| Grinding wheel speed 50HZ/60HZ<br>砂輪轉速 |                           | 3800/4500 rpm          |
| Grinding wheel motor 砂輪馬達              |                           | 0.37 KW                |
| Cooling Motor 冷卻馬達                     |                           | 0.09 KW                |
| Transmission motor 傳動馬達                |                           | 0.37 KW                |
| Net weight/gross weight<br>淨重/毛重       |                           | 302 / 364 kg           |
| Package size 裝箱尺寸                      |                           | 86 x 104 x 174 cm      |

### Standard Fittings 標準配件

|                      |         |
|----------------------|---------|
| Work lamp 工作燈        | 1pc 個   |
| Tool box 工具箱         | 1set 套  |
| Guide Plate 導板       | 1pc 個   |
| Operation Manual 說明書 | 1copy 份 |
| Grinding wheel 砂輪    | 5pcs 片  |

※ All specifications, designs and characteristics shown in this catalogue are subject to change without prior notice.  
因設計或製造上的需要，如有變更恕不另行通知。



Applicable for 適用:  
HSS Circular Sawblades  
高速鋼圓鋸片



Tungsten Steel Circular Sawblades  
鎢鋼圓鋸片

### Optional Accessories 選購配件



Saw Blade Thickness Clamping Seat Ø30  
鋸片厚度夾緊座組 Ø30



Manual Lubrication System  
手動潤滑系統



CBN Grinding Wheel  
CBN 砂輪

# S620 S450 圓鋸片研磨機

Circular Saw Blade Sharpening Machine

## Professional Class Sawblade Sharpening Machine 專業級的鋸片研磨機

### Instruction of Functions 功能介紹

- A Firm Floor Model Machine 穩定性佳的落地型機種。
- Sharpening Capability of High-low Teeth 高低齒的研磨功能。
- It is adjusted by a control dial the teeth high-low difference. The C type teeth with high-low difference could be ground out the same time. 由一個齒高低差控制鈕調整，可以同時研磨出有高低差的C型齒。

### The Adjustment of The Sawblade Thickness 鋸片厚度調整

- The sawblade thickness is adjusted by a precision graduator. It could accurately adjust the center point of the sawblade 鋸片厚度經由一個精密的刻度表，可以準確的調整出鋸片的中心點。

### Inverter speed regulation 變頻器調速

- Use the frequency converter to adjust the power of the motor, realize the variable speed operation of the motor, and then achieve the purpose of energy saving and speed regulation. 使用變頻器調整馬達的功率，實現馬達的變速運轉，進而達到節能、調速的目的。

### Brand-New Design 全新設計

- This machine is well-designed for years and it is a professional class sawblade sharpening machine. 本機經過多年的精心設計，是一部專業級的鋸片研磨機。
- Brand-new design; this sharpening machine is designed in the operator's position. All of the adjusting levers are arranged reasonably. In this way, the operator could adjust the cutting angle, the back clearance angle, the teeth depth and teeth pitch of the sawblade easily. Therefore, the edgy sawblade could be ground out rapidly and precisely. 全新的設計，本著操作者的立場所設計的研磨機，其所有的調整桿，均做了合理的排列，讓操作者可以很容易調整齒齒的切削角、背隙角、齒深及齒距，所以可以快而準確的研磨出鋒利的鋸片。

### Tooth Shape Cam 齒形凸輪

- The industrial and professional tooth shape cam is designed through an accurately calculated mimic process of the computer. Saw blades can be ground more easily, quickly and accurately.

經過電腦精密計算模擬，所設計出的工業級的專業齒形凸輪，使你的鋸片研磨更為簡單、快速準確。

- The grinding head can be swung up and down-wards, so the chamfer angle can be ground out without changing the grinding wheel. 砂輪頭可以上下擺動，所以不必更換砂輪，即可研磨出倒角。

- The tungsten-carbide-tipped pushing jaw has maximum wear resistance to maintain the accurate feeding. 推進爪末端焊有碳化鎢，可使推進爪的磨損減至最低，以達到精確的推給。

- Casting of machine are made of ductile iron(FCD-45) for the best wear resistance, tempered and stress relief. 本機所有的鑄造均採用球狀石墨鑄鐵(FCD-45)，並經回火處理，以確保精度，及增加耐磨性。

- All of the main parts are made of SKD11 alloy steel, hardened and precision ground. 主要零件均採用SKD11高碳鋼，並經熱處理研磨。

- The spring of push arm is reformed to ensure the precision of the feeding. Rotary type spring has better resistance from elasticity fatigue. 推臂彈簧經過改良，使用回轉式彈簧，不易彈性疲乏，確保推給準確。

- The support base of the saw blade feeding shaft uses the high thsile brass alloy and embeds the high-tech-made solid lubricant inside. It features heavy load capacity and good wear-resistance to accomplish the oil-free feed function. 鋸片推給軸支持座，使用高強度銅合金作基材，埋入高科技技術製造之固體潤滑劑，其高負荷、耐磨耗的特性更達到完全無給油功能。

- The enlarged Ø30mm feeding shaft is hardened and precision ground. 推給軸使用Ø30mm，加大軸心並經熱處理及研磨。



# S300 圓鋸片研磨機

Circular Saw Blade Sharpening Machine

## Standardtype circular sawblade sharpener 標準型圓鋸片研磨機

### Instruction of Functions 功能介紹

- Desktop model machine 桌上型機種。
- Constant sharpening speed: 90 teeth/minute 研磨速度為固定式，每分鐘為90齒。
- It is applicable for grinding the straight teeth and the circular arc teeth. The teeth shape could be changed per your need only with a hex wrench 可研磨直型齒及圓弧齒，只需一支六角板手即可變換出所需之齒形。
- It is suitable to select and purchase the special small clamping seat of the sawblade for this machine, thus the little sawblade in Ø30 diameter could be ground. 本機可選購特殊小型鋸片夾緊座即可研磨外徑Ø30之小鋸片。

### Easy to operate and adjust 操作調整簡易

- The clamping seat of the sawblade is reformed. It endures the friction with special bearing to avoid the spring leaf abrasion and to ensure the machine's sharpening accuracy and durability.

鋸片夾緊座經過改良，使用特殊軸承，承受磨擦力，不會造成彈簧片磨損，確保機器的研磨精度及耐用性。

### The Adjustment Of Saw Blade Thickness 鋸片厚度調整

- The saw blade thickness is adjusted by a precision graduator, which can accurately adjust the center point of the saw blade. 鋸片厚度經由一個精密的刻度表，可以準確的調整出鋸片的中心點。

### S620 / S450 Specifications 規格表

| Grinding Range<br>研磨範圍                 | S620                             | S450             |
|--|----------------------------------|------------------|
|  | Optional accessories 選購配件        | 選購配件             |
|  | Ø65-620mm                        | Ø65-450mm        |
|  | Ø35-100mm                        | Ø35-100mm        |
| Tooth pitch 齒距                         | 25 mm Max. 最大                    |                  |
| Sawblade Thickness<br>鋸片厚度             | 8 mm Under 以下                    |                  |
| Grinding speed<br>研磨速度                 | 72~143 teeth/min<br>113~223 齒/分鐘 |                  |
| Cutting angle 切削角                      | 0~30°                            |                  |
| Grinding wheel diameter<br>砂輪外徑        | Ø150 mm                          |                  |
| Grinding wheel motor 砂輪馬達              | 0.37 KW                          |                  |
| Transmission motor 傳動馬達                | 0.37 KW                          |                  |
| Grinding wheel speed 50HZ/60HZ<br>砂輪轉速 | 3800/4500 rpm                    |                  |
| Net weight/gross weight<br>淨重/毛重       | 186 / 247 kg                     | 176 / 232 kg     |
| Package size 裝箱尺寸                      | 88 x 93 x 155 cm                 | 73 x 93 x 155 cm |

### Standard Fittings 標準配件

|                      |         |
|----------------------|---------|
| Work lamp 工作燈        | 1pc 個   |
| Tool box 工具箱         | 1set 套  |
| Operation Manual 說明書 | 1copy 份 |
| Guide Plate 導板       | 2pcs 片  |
| Grinding wheel 砂輪    | 10pcs 片 |

### S300 Specifications 規格表

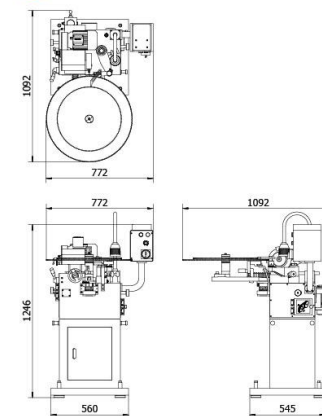
| Grinding Range<br>研磨範圍                 | Ø65-300mm                 |
|--|---------------------------|
|  | Optional accessories 選購配件 |
|  | Ø35-100mm                 |
| Tooth pitch 齒距                         | 25 mm Max. 最大             |
| Tooth depth 齒深                         | 8 mm                      |
| Sawblade Thickness 鋸片厚度                | 8 mm Under 以下             |
| Grinding speed<br>研磨速度                 | Constant speed<br>定速      |
|  | 90 teeth/min 齒/分鐘         |
| Cutting angle 切削角                      | 0~30°                     |
| Grinding wheel diameter<br>砂輪外徑        | Ø150 mm                   |
| Grinding wheel speed 50HZ/60HZ<br>砂輪轉速 | 3800/4500 rpm             |
| Grinding wheel motor 砂輪馬達              | 0.37 KW                   |
| Transmission motor 傳動馬達                | 0.37 KW                   |
| Net weight/gross weight<br>淨重/毛重       | 130 / 160 kg              |
| Package size 裝箱尺寸                      | 68 x 74 x 72 cm           |

### Standard Fittings 標準配件

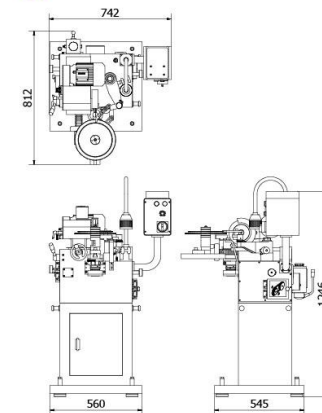
|                      |         |
|----------------------|---------|
| Work lamp 工作燈        | 1pc 個   |
| Tool box 工具箱         | 1set 套  |
| Guide Plate 導板       | 1pc 個   |
| Operation Manual 說明書 | 1copy 份 |
| Grinding wheel 砂輪    | 5pcs 片  |

※ All specifications, designs and characteristics shown in this catalogue are subject to change without prior notice. 因設計或製造上的需要，如有變更恕不另行通知。

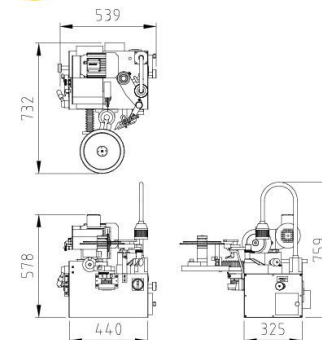
### S620 Dimensional Drawing 尺寸圖



### S450 Dimensional Drawing 尺寸圖



### S300 Dimensional Drawing 尺寸圖



# S620

## HIGH METICULOUS



Upward chamfer 上倒角示圖



Downward chamfer 下倒角示圖

Tooth Form 齒型



Grinding wheel tilting adjustment 砂輪上下擺動刻度

P5



Saw Blade Thickness Clamping Seat 鋸片厚度夾緊座組



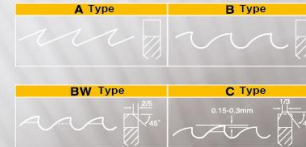
Stepless speed Adjustment 無段變速



Manual Lubrication System 手動潤滑系統  
Easy to be operated by pushing the handle down for oil feeding. 以把手反覆操作送油，操作簡便

# S450

Tooth Form 齒型



High/Low teeth indicator meter 高低齒量錶



High/Low teeth grinding adjustment 高低齒調整鈕

P6



# S300

Tooth Form 齒型

